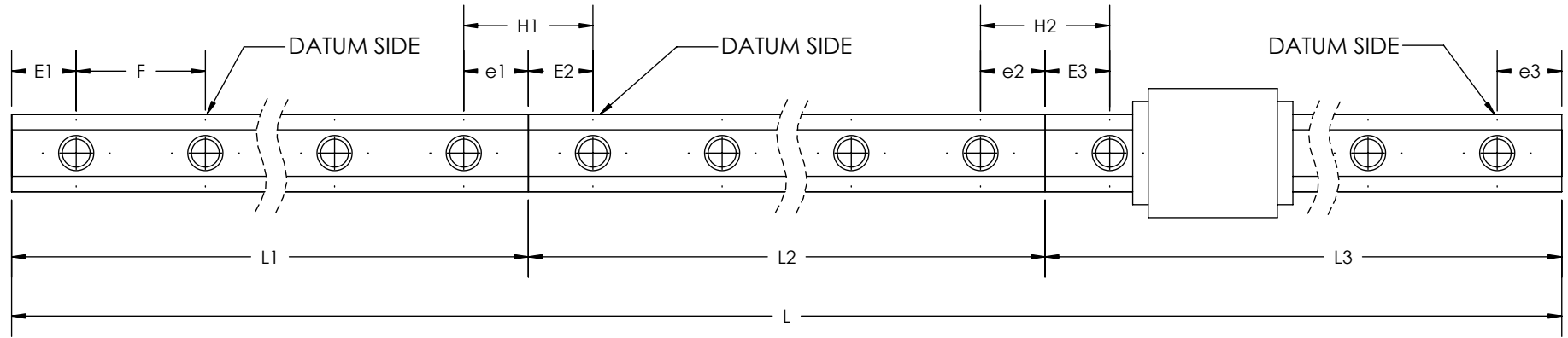


CUSTOMER: _____

PART NO.: _____

DEFINING DIMENSIONS FOR THREE GUIDE RAILS BEING JOINED (TOP VIEW)



L DIMENSION _____ mm H1 DIMENSION _____ mm H2 DIMENSION _____ mm

L1 DIMENSION _____ mm e1 DIMENSION _____ mm e2 DIMENSION _____ mm

L2 DIMENSION _____ mm E2 DIMENSION _____ mm E3 DIMENSION _____ mm

L3 DIMENSION _____ mm

E1 DIMENSION _____ mm

F DIMENSION _____ mm

e3 DIMENSION _____ mm

DIMENSIONAL TOLERANCES UNLESS OTHERWISE SPECIFIED							
UP TO	6	30	120	300	600	1200	OVER 2400
	±0.1	±0.2	±0.3	±0.4	±0.5	±0.8	±1.0

THE INFORMATION CONTAINED IN THIS DRAWING IS THE SOLE PROPERTY OF ACCU-TECH USA. ANY REPRODUCTION IN PART OR AS A WHOLE WITHOUT THE WRITTEN PERMISSION OF ACCU-TECH USA IS PROHIBITED.

SIGN OFF APPR. _____ DATE _____

DATE	
DRAWN	JDS
SCALE	
FILE NAME	
COMMENTS	
3RD ANGLE PROJECTION	
ENG APPR.	
MFG APPR.	
PART NO.	

Accu-Tech USA
 14460 New Falls of the Neuse Rd. Suite 149-217
 Raleigh, NC 27614 (919) 863-0837
 www.accu-techusa.com

ANY RIGHT OF DISPOSAL, SUCH AS COPY OR DISTRIBUTION RIGHTS, REMAINS WITH US. THE PASSING-ON OF THIS DRAWING OR COMMUNICATION OF ITS CONTENT TO THIRD PARTIES AS WELL AS THE USE OF THE DRAWING FOR THE MANUFACTURE OF CORRESPONDING ARTICLES IS ONLY PERMITTED WITH OUR EXPRESS APPROVAL IN WRITING. IN AS FAR AS THE DRAWING CONTAINS PATENTABLE ELEMENTS, WE RESERVE ALL THE RIGHTS FOR THE GRANTING OF A PATENT OR REGISTRATION OF A UTILITY OR DESIGN.

TITLE: THREE GUIDE RAILS JOINED

DRAWING NO.	REVISION	SHEET	SIZE
			A